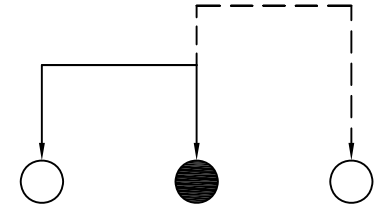
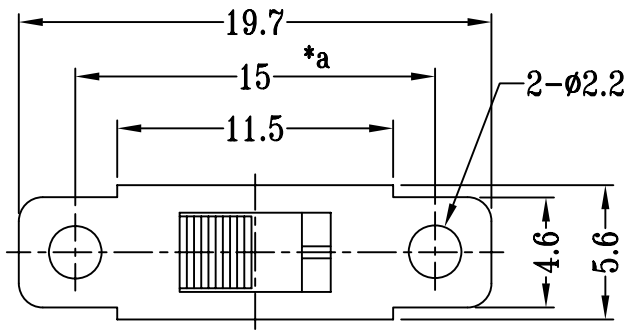
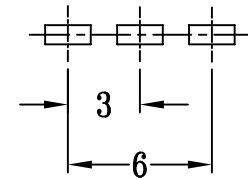
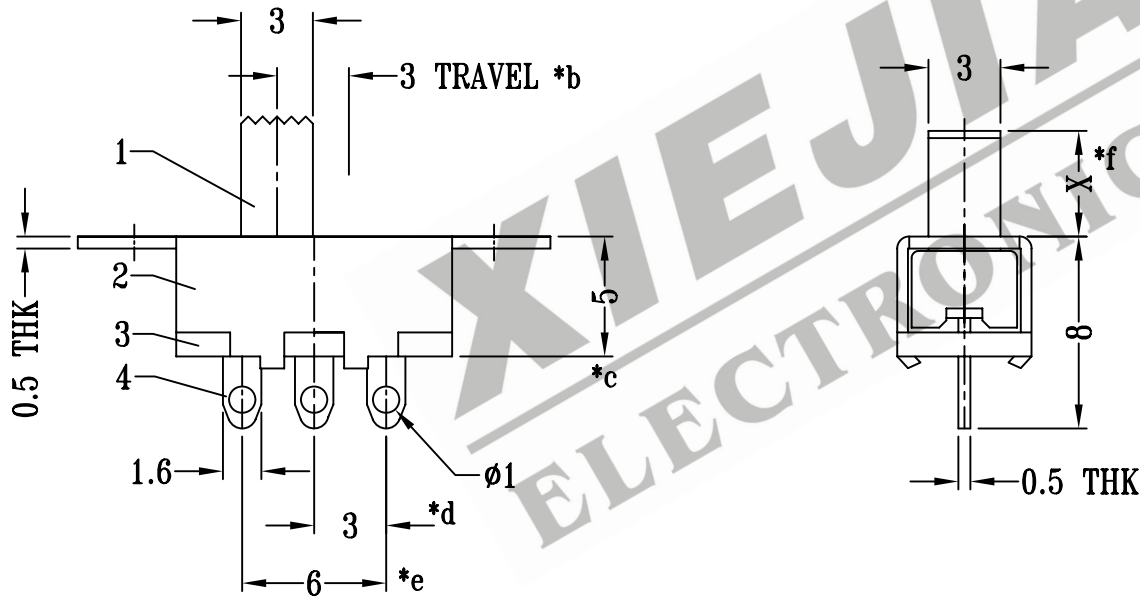




CAD FILE:



SCHEMATIC (NON-SHORTING)



P.C.B LAYOUT

注:带"*"表示关键尺寸(6个)

				TOLERANCE UNLESS SPECIFIED	SHENZHEN XIEJIA ELECTRONICS CO.,LTD.					
				WITHIN: 1.5±0.1mm OVER : 1.5±0.2mm	ISSUE	DATE	DESCRIPTIONS OF REVISION		APPD.	
8										
7										
6	SPRING	STEEL WIRE	1	TEMPER			TITLE : VERTICAL SLIDE SWITCH		UNIT : mm	DRWG NO.: XJ-DR-SS12F15-00
5	CONTACT CLIP	BRASS STRIP	1	Ag PLATED			MODEL: SS-12F15		SCALE: 3 : 1	DWN. ZHOUYU 2004-6-30
4	TERMINAL	BRASS STRIP	3	Ag PLATED OVER Ni PLATED			ALL MATERIALS MUST BE COMPLIANT TO ROHS		CHK'D FANGYING 2004-6-30	
3	BASE	PHENOLIC RESIN	1	NATURAL					APPD. KANGXINAN 2004-6-30	
2	FRAME	STEEL STRIP	1	BLACK						
1	KNOB	POM	1	BLACK						
NO.	PARTS	MATERIALS	Q'TY	FINISH					APPD.	